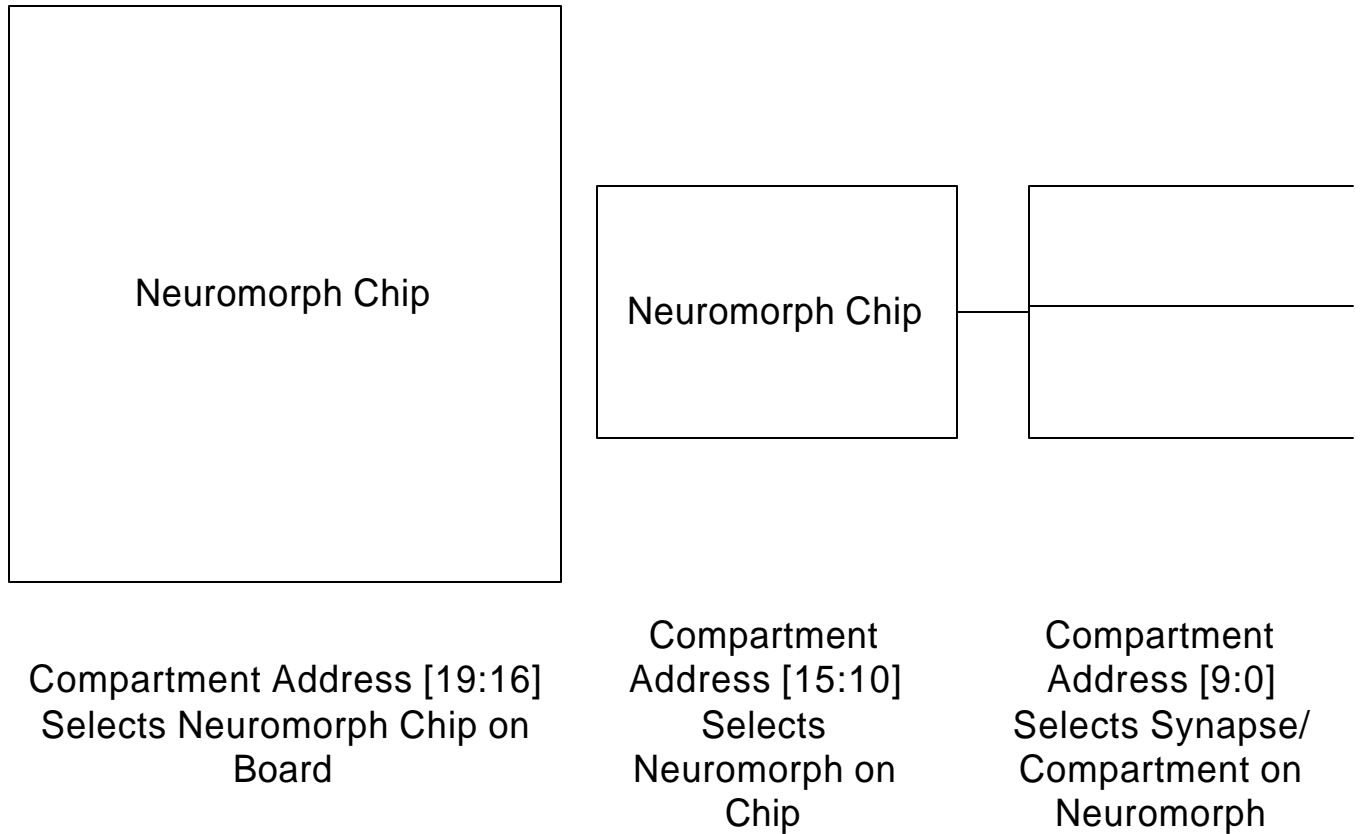


Source and Compartment Addressing



$$\text{Source Address} = 64 * (\text{Neuromorph Chip}) + (\text{Neuromorph on Chip})$$