

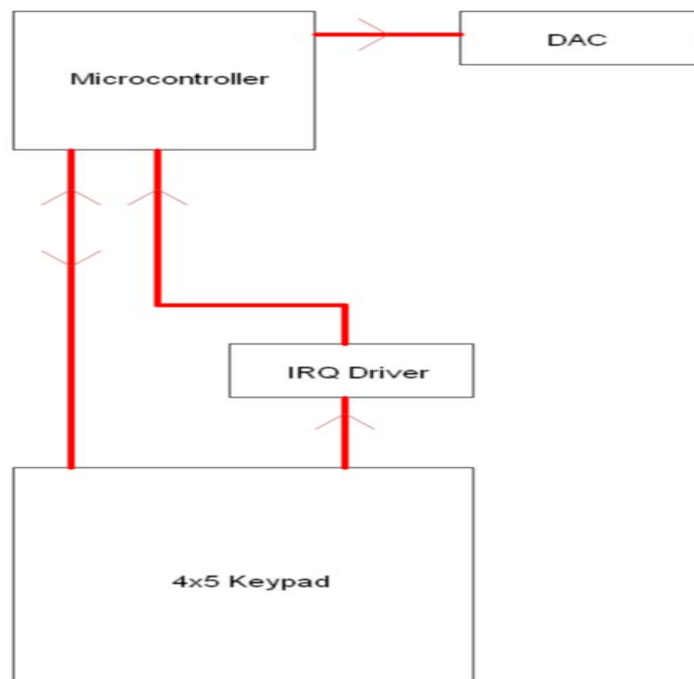
Example Dude
CPEG222
Project X
Date

CPEG222 – Project X Generic Project

Presenting the ever-useful GeneriBox version 2.22 - a brand new product! Many helpful features are built right in! But beware, this item will only be available in limited quantities so grab yours at a demo, today!

Features include:

- Being very generic
- Working

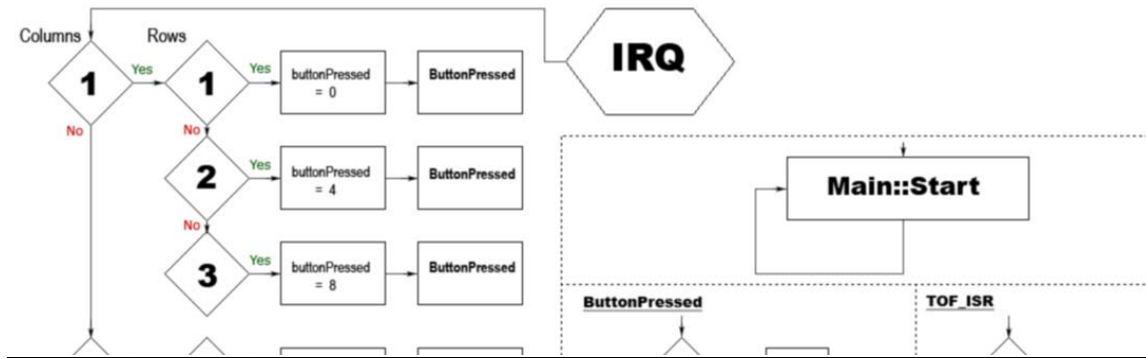


Cropped, High-Level Block Diagram (above). Note that it is very high level.

Blocks should nonetheless have descriptive names, indicating their purpose.

Program Code Flow Diagram:

The cropped flow diagram should be self-explanatory. More detail is favorable.



Main.asm

```
. *****  
;  
; This code belongs to a simple signal generator. Sine, Tri, and Exp  
; waves with variable periods and amplitudes can be generated  
; *****  
;  
; Code follows...
```

Monitor linker.prm

Monitor.map

Component Placement Diagram

Note the use of package names. In addition, discrete components such as resistors and capacitors should be represented as blocks, with their values labeled.

Note that the resistor packages in the diagram below should ideally have their values labeled in some manner.

